



Technology for humans



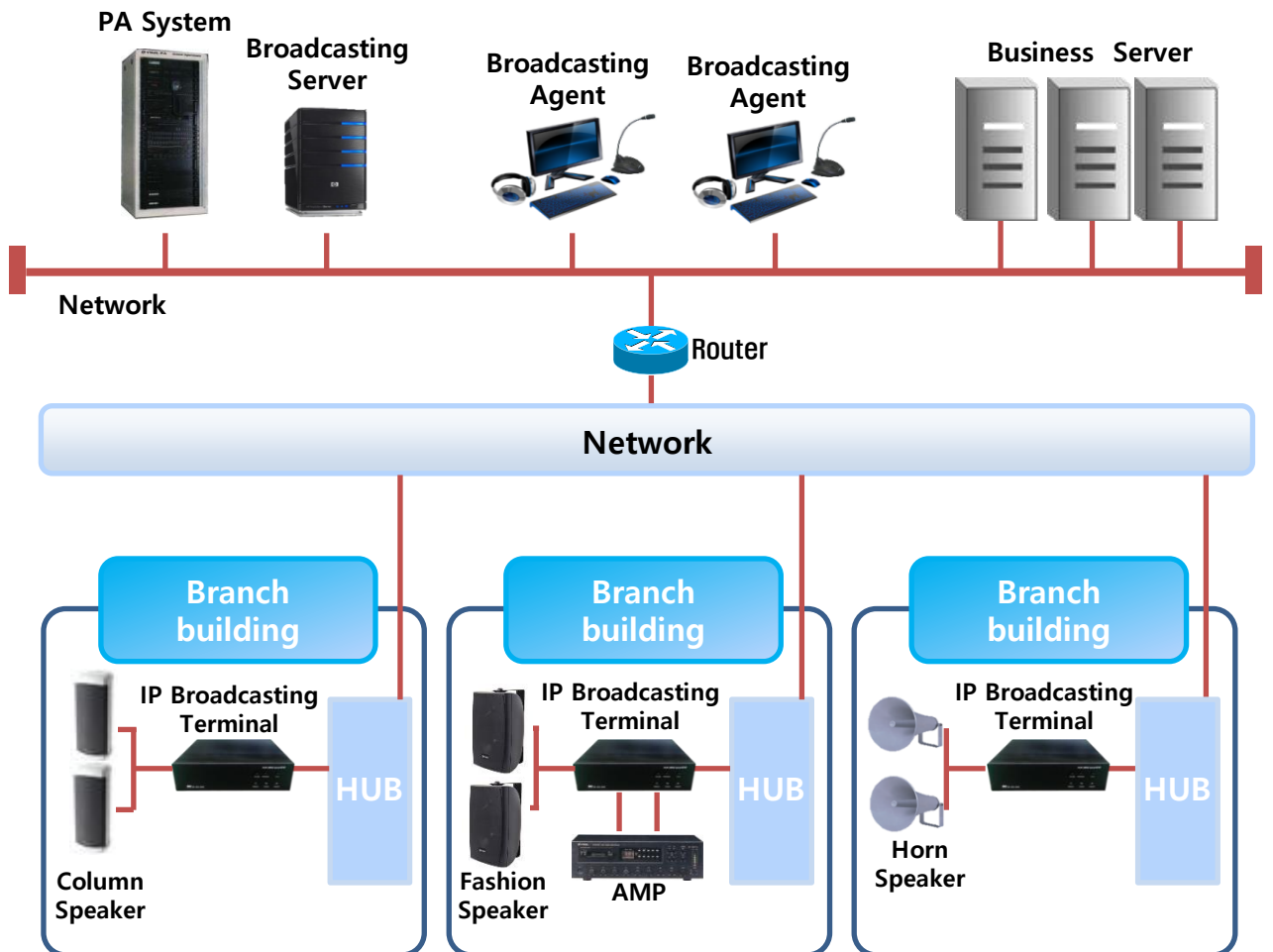
IP Network Broadcasting System

2020



IP Network Broadcasting System

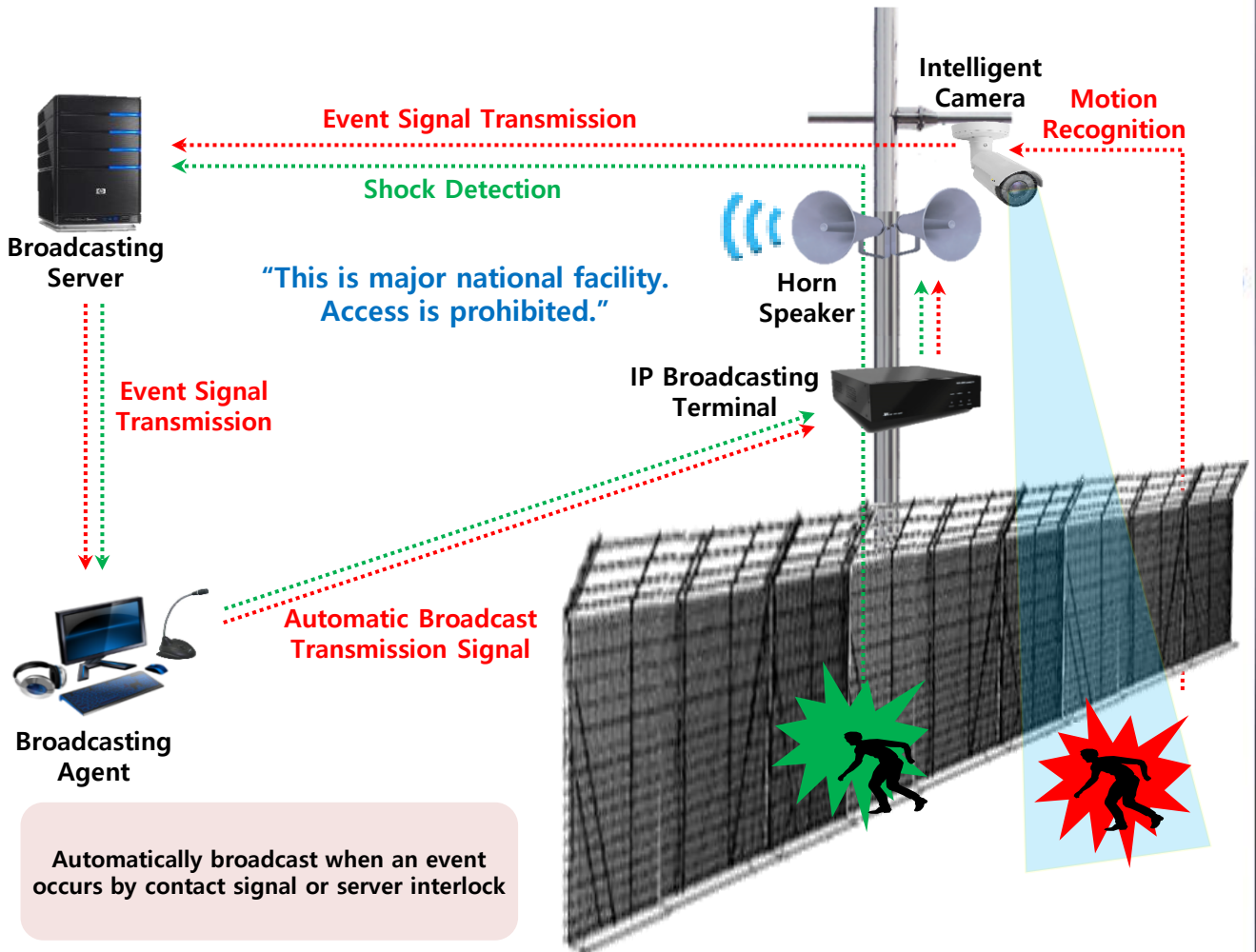
System diagram





IP Network Warning Broadcasting System

System diagram



Feature

- PC that is connected to same network that can by broadcast everywhere client broadcasting function
- Background music, voice Mixer possibility, music broadcasting and automatically reservation broadcasting possibility
- Convenient broadcasting function that change character to voice to use TTS engine installation
- Tone quality automatic selection (Function that is displayed selecting automatically various tone quality of more than 16bits)
- Speaker output and amplifier output automatic control function that can broadcast simulcast or separation
- By CD degree music exclusive use CODEC optimum tone quality by real-time listening
- Maintenance is convenient and move establishment and extension are easy
- Is designed by 60W / 30W * 2CH amplifier be built in and without extra device
- At center volume intercession and all Reset possibility of whole broadcasting G/W
- At center whole terminal equipment power and Hardware control possibility
- In 19 inches rack by Rack type installation
- By band width that is less at real-time broadcasting broadcast quality guarantee of CD degree
- Use serial port and terminal equipment establishment is simple
- Select conveniently by whole, group, individual button module and broadcasting
- Terminal equipment state, obstacle particulars sign

Main Software

Broadcasting Server

- **Name : NS-IP/BRSW**
 - **Equipment in IP Network PA System**
 - **Broadcast Signal send to the terminal**
 - **The Server can check the on/off status of the terminal and the broadcasting line status**

Specification

| | |
|-------|-------------------------------|
| CPU | Intel Xeon Quad Core 3.4GHz |
| RAM | 8GB |
| HDD | 1TB * 2EA |
| POWER | Dual Power Supply |
| OS | Windows Server 2016 or 10 Pro |

Broadcasting Agent

- **Name : NS-CASTAGENT**
 - **Support the whole broadcasting, group broadcasting and individual broadcasting to each designated place and allow to use optionally**

Specification

| | |
|-----|-----------------|
| CPU | Intel i5 3.4GHz |
| RAM | 8GB |
| HDD | 1TB |
| ODD | DVD Multi |
| OS | Windows 10 Pro |

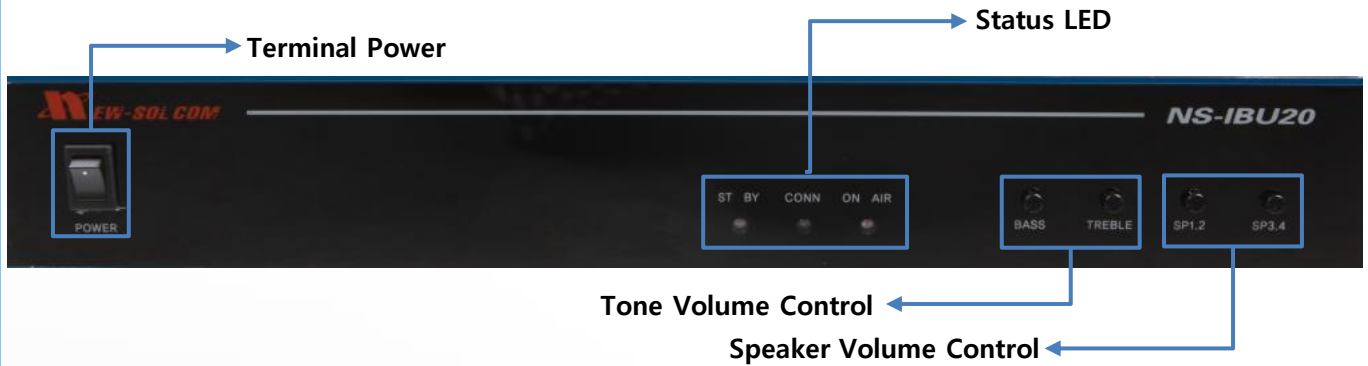
Main Equipment

Set top Box (60W)

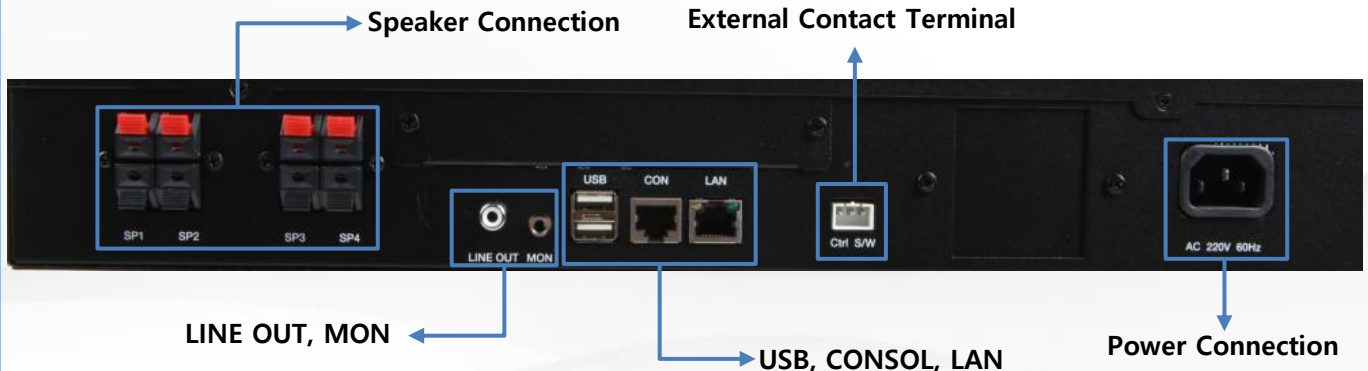
- Name : NS-IBU20
- Compressed data from main server converts analog and output with speaker
- Use embed digital AMP (60W)
- Use Embedded type (Linux based) CPU
- Allows to decode audio signal automatically and transmit the audio

| Specification | |
|---------------|---|
| CPU | S3C6410 667(ARM11) CHIP |
| RAM | 128Mbytes DDR DRAM / 512Mbytes NAND Flash |
| POWER INPUT | AC 110 ~ 220V |
| FUNCTION | DA Converter, OGG CODEC |
| LAN | Ethernet 10/100Mbps |
| SIZE | 64(H)mm x 220(W)mm x 260(D)mm |

<Front>



<Back>



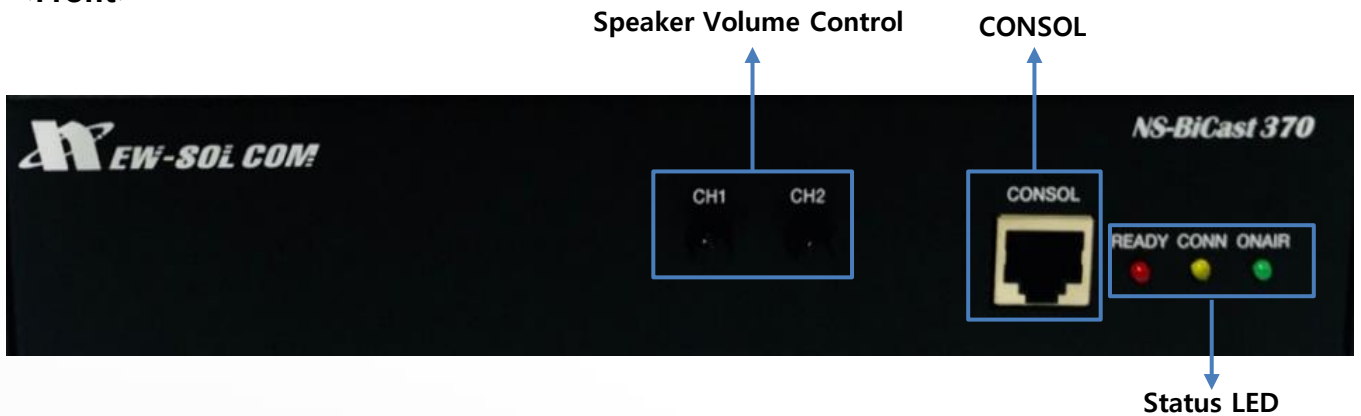
Main Equipment

Set top Box (35W * 2CH)

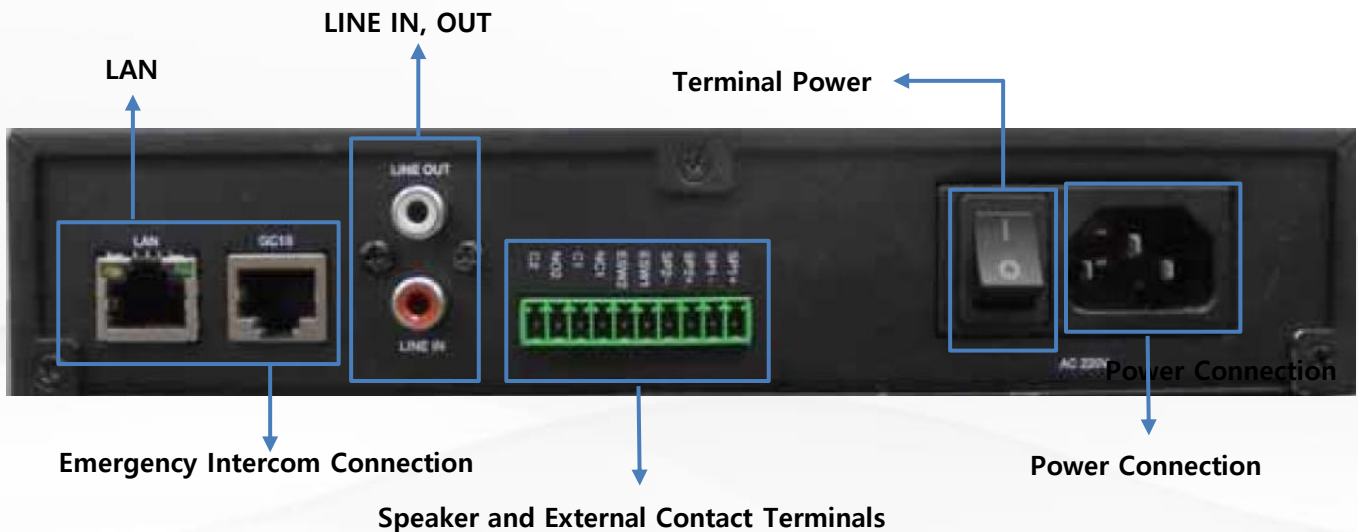
- Name : NS-BiCast370
- Compressed data from main server converts analog and output with speaker
- Use embed digital AMP (35W * 2CH)
- Use Embedded type (Linux based) CPU
- Allows to decode audio signal automatically and transmit the audio

| Specification | |
|---------------|---|
| CPU | S3C6410 667(ARM11) CHIP |
| RAM | 128Mbytes DDR DRAM / 512Mbytes NAND Flash |
| POWER INPUT | AC 110 ~ 220V |
| FUNCTION | DA Converter, OGG CODEC |
| LAN | Ethernet 10/100Mbps |
| SIZE | 64(H)mm x 220(W)mm x 260(D)mm |

<Front>

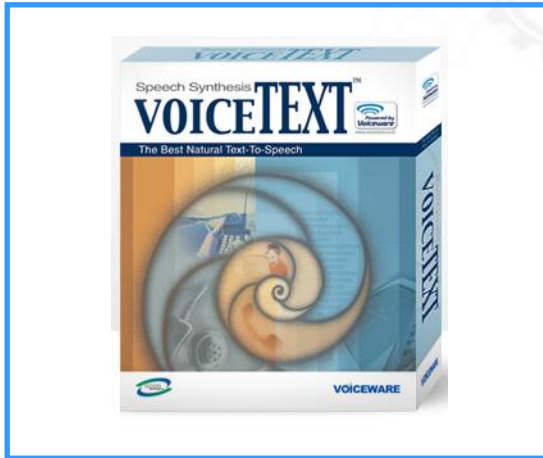


<Back>



Sub Software & Speaker

TTS Software



- Name : TTS (Voice Text TM Server)
- Convert text to the voice and output to the speaker

| Specification | |
|---------------|------------------------|
| CPU | Intel i3 3.0GHz |
| RAM | 1GB |
| OS | Windows / Unix / Linux |
| Languages | Multilingual language |

Column Speaker



- Name : ICS-530

| Specification | |
|---------------|-------------------|
| POWER | 30WATTS |
| IMPEDANCE | COM, 333Ω, 667Ω |
| WEIGHT | 2.85kg |
| DIMENSION | 143 x 435 x 145mm |

Horn Speaker



- Name : HIS-30T

| Specification | |
|---------------|--------------------|
| POWER | 30WATTS |
| IMPEDANCE | COM, 330Ω, 660Ω |
| WEIGHT | 2.85kg |
| DIMENSION | ∅280(D) x 350(L)mm |

We are experienced Simultaneously IP Network Public Address System solution Provider and we promise satisfactory quality

Detailed Product Description

PC that is connected to same network that can broadcast everywhere Client broadcasting function
VoIP system solutions

New-sol Telecommunication is providing voice broadcasting solution especially simultaneous VoIP broadcasting System. Just one Announcer can broadcast to all of your branch. So, you can control all broadcasting in center at the same time. Come out by Broadcasting to natural voice at branch through network if write the content of broadcasting by computer(TTS-text to speech) in addition. I am manufacturing broadcasting solution image solution, mobile solution multimedia integration solution.

Through years of operations in the voice broadcasting solution industry by our well-experienced executives, we have established a Large customer in global. Based on high technical skills that we have. We will provide the best solution which customers can Highly reliable.

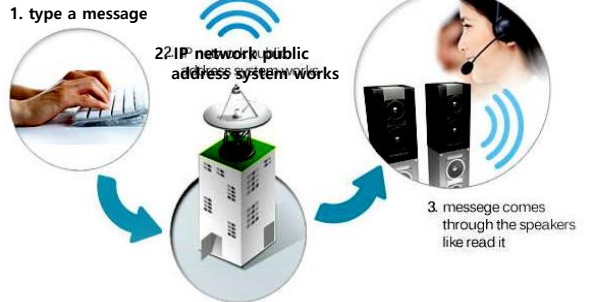
IP Network Broadcasting System

User-friendly Products

Our **User-friendly Products** provides **high-performance IP based Voice Broadcasting Solution** including **IP-routing service for bank, Securities, Large enterprise, and government**



Text to Speech Service



NEW-SOL is launching a new project for sustainable development for safety, government and environment.



Thank You

T h a n k s f o r R e a d i n g